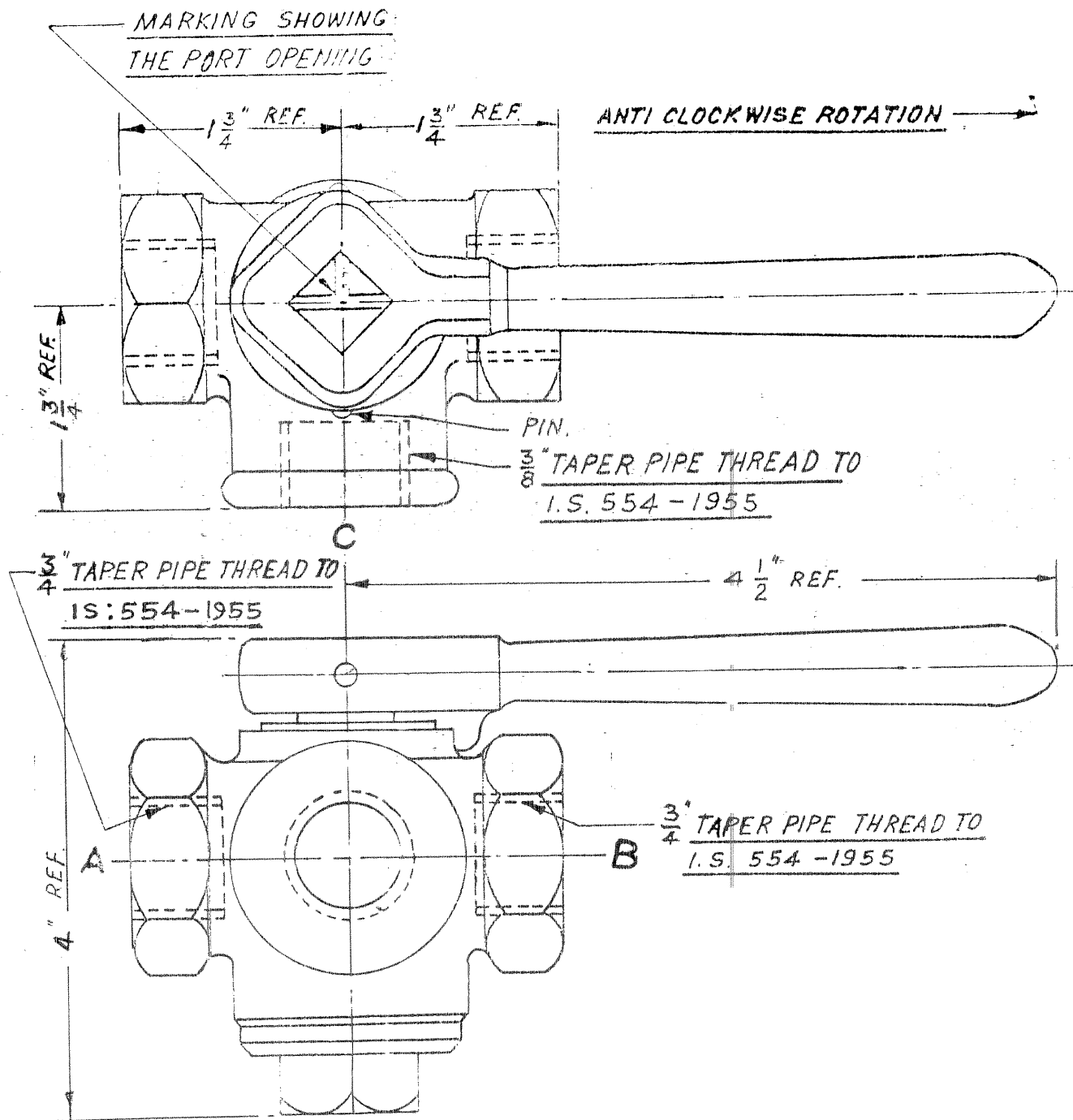


ALT. NO.	ALTERATION	VERIFIED BY	INITIAL
(P)	DRG. REVISED	S.S.E. 20/12/06	20/12/06



**NOTE :-**

1. PRESSURE RATING 100 P.S.I.
2. KEY TO BE PERMANENT LUBRICATED.
3. THIS COCK IS USED ON BRAKE CYLINDER CIRCUIT. & LOW WATER ALARM CIRCUIT.
4. WHEN HANDLE IS IN LINE WITH PIPE, PORT'S A & B CONNECTED.
5. WHEN HANDLE IS PERPENDICULAR WITH PIPE, PORTS A & C CONNECTED.
6. TEST PRESSURE 200 P.S.I. AIR (MIN.)
7. THE COCK TO OPEN AND CLOSE IN THE HANDLE POSITION AS INDICATED IN THE DRAWING.
8. PORTS MUST BE SEALED WITH PLASTIC THREAD PROTECTORS.
9. VENDOR IDENTIFICATION TO BE MARK WITH MFG MONTH & YEAR AT SUITABLE LOCATION.
10. REFER DRG.NO. TPL-0046 TO PARTNO.-11440314 FOR 5/16\"
11. HANDLE, BODY & NUT SHALL BE TO I.S: 1875 CL-IV FORGING
12. BALL OF CUT-OUT COCK SHALL BE OF STAINLES STEEL

	THREE WAY COCK		11390219		SEE NOTE	SEE NOTE
NO. OFF	DESCRIPTION & DIMENSION	ITEM	PART NO.	DRG. NO.	MATERIAL	SPECIFICATION
	GROUP : PIPING				SUPERSEDED BY	
					SUPERSEDES ALT- 'N'	
	<b>THREE WAY COCK BALL TYPE</b>			SCALE	VERIFIED BY S.S.E/E	S.S.E. 20/12/06
				PROJECTION	CHD.	20/12/06
					DRN.	S.S.E. 20/12/06
				ALT.	P	
				PART NO. 11390219		
				DRG. NO: TPL-0306		

		2/11060918
		4/11060190
DY. CDE/VEH.	SME/D	ASSLY. PART NO.

